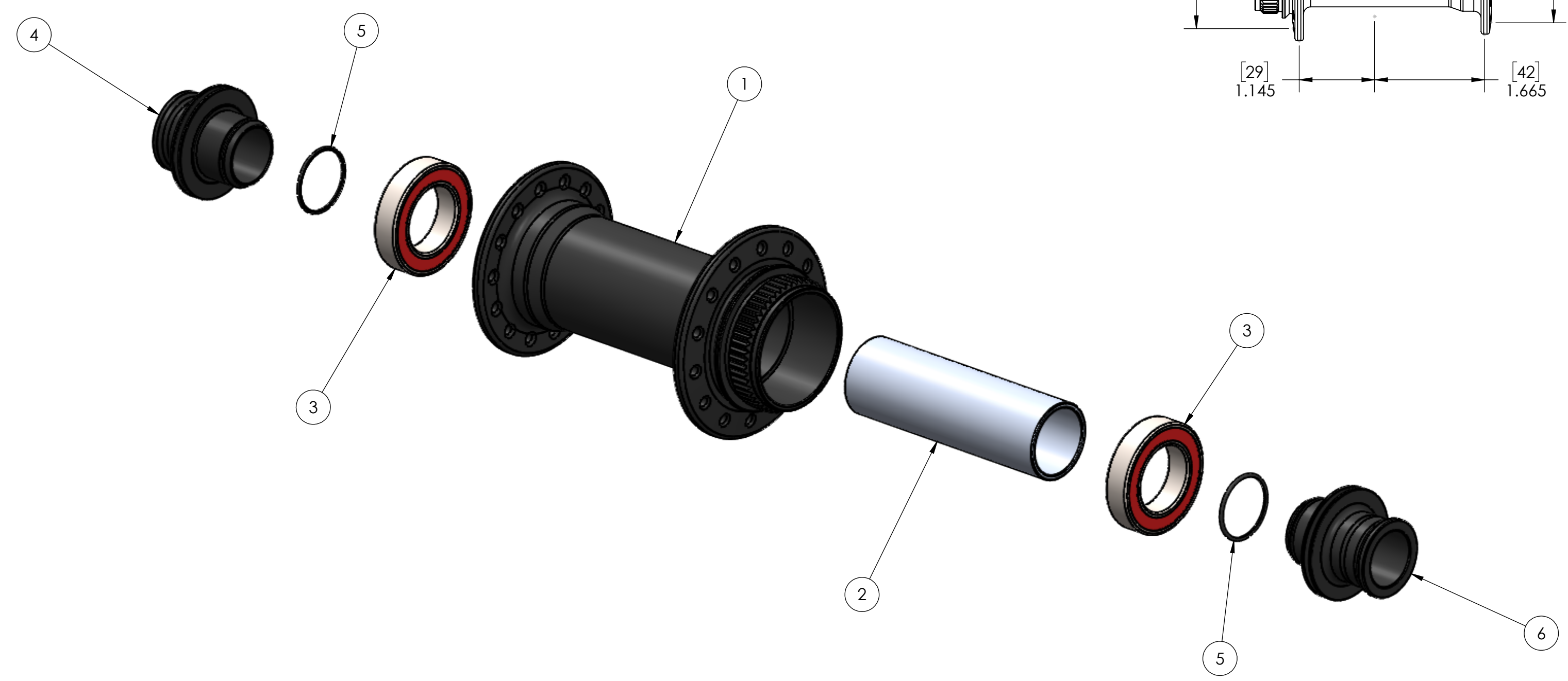
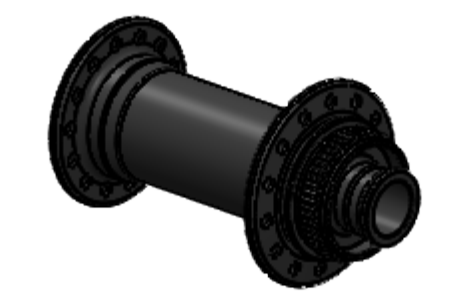
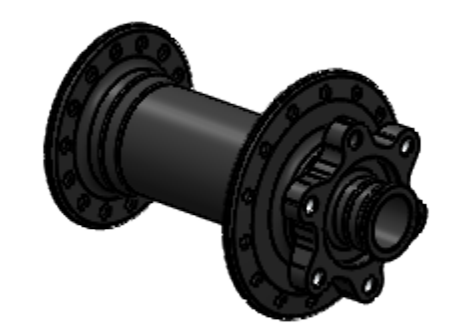
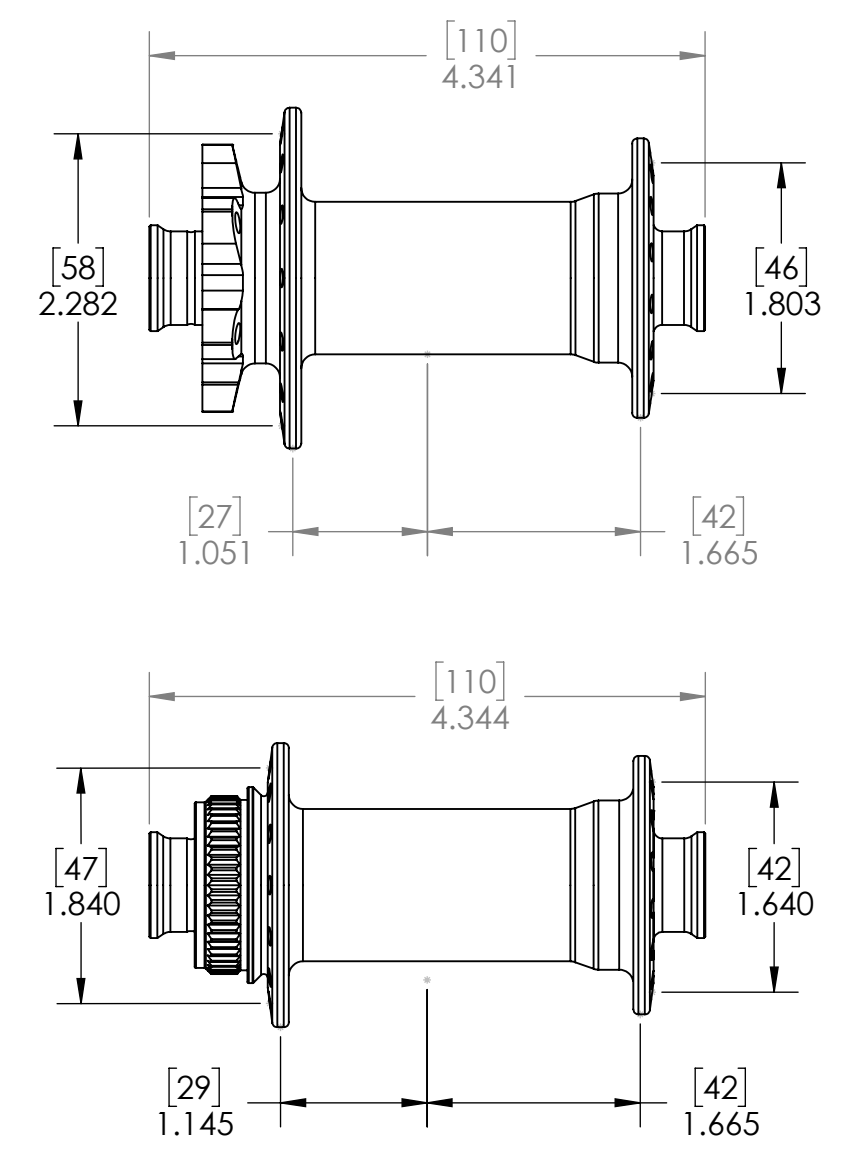


REVISIONS			
ZONE	REV.	DESCRIPTION	DATE

# 1/1 Mountain Front Hub Boost Center Lock + 6 Bolt



ITEM NO.	PART NUMBER	DESCRIPTION	QTY.
1	OEHU12XX_12XX	1/1 Hubshell MTN FR - See Hub Spec Table	1
2	OEAX1600	1/1 Axle Front Boost	1
3	BB18307	Ball Bearing 18 x 30 x 7	2
4	OEAX1682	1/1 End Cap MTN FR Drive Side 15mm	1
5	TAXOR15	15X1mm O-Ring	2
6	OEAX1683	1/1 End Cap MTN FR Brake Side 15mm	1

Hub Spec	
P/N	Description
OEHU1214	110 ISO 32H
OEHU1215	110 ISO 28H
OEHU1224	110 CL 32H
OEHU1226	110 CL 28H

PROPRIETARY AND CONFIDENTIAL  
THE INFORMATION CONTAINED IN THIS DRAWING IS THE SOLE PROPERTY OF INDUSTRY NINE COMPONENTRY. ANY REPRODUCTION IN PART OR AS A WHOLE WITHOUT THE WRITTEN PERMISSION OF INDUSTRY NINE COMPONENTRY IS PROHIBITED.

UNLESS OTHERWISE SPECIFIED:	NAME	DATE
DIMENSIONS ARE IN INCHES	DRAWN	
TOLERANCES:	CHECKED	
FRACTIONAL ±	ENG APPR.	
ANGULAR: MACH ±	MFG APPR.	
TWO PLACE DECIMAL ±	Q.A.	
THREE PLACE DECIMAL ±	COMMENTS:	
INTERPRET GEOMETRIC TOLERANCING PER:		
MATERIAL		
FINISH		
APPLICATION		
DO NOT SCALE DRAWING		

**INDUSTRY NINE**

TITLE:

SIZE DWG. NO. REV

C

SCALE: 1:8 WEIGHT: SHEET 1 OF 1